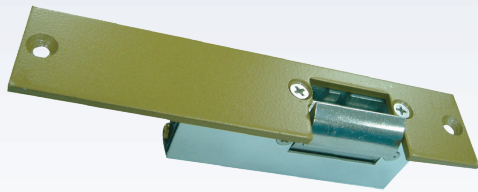


# ESL-100 / 200 Electric Strike



ESL-100

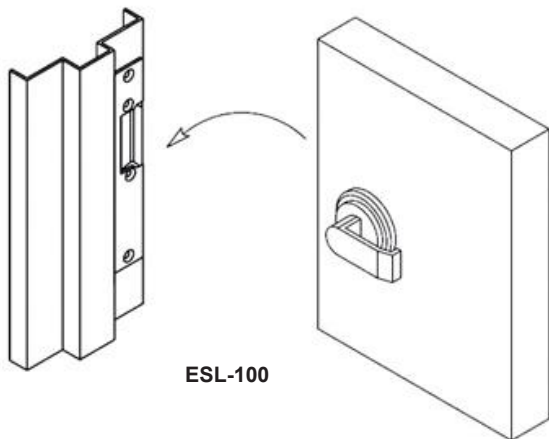


ESL-200

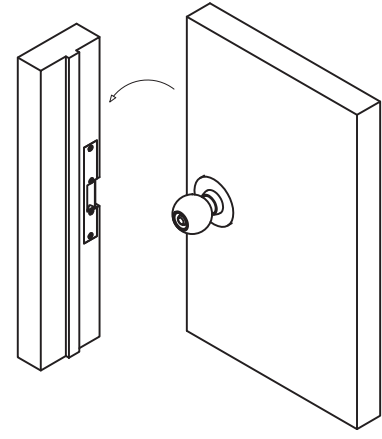
## Specification

Model	ESL-100	ESL-100F	ESL-200	ESL-200F
Control Mode	Power to Open	Power to Lock	Power to Open	Power to Lock
Material (Standard spec.)	Iron faceplate with coating (brass)	Iron faceplate with coating (brass)	Stainless Steel	Stainless Steel
Material (Optional )	Iron faceplate with coating (chrome silver)	-	Stainless Steel	Stainless Steel
Power Input	12VDC	12VDC	12VDC	12VDC
Current Consumption	400mA	200mA	400mA	200mA
Max. latch throw	13.5mm	13.5mm	9.6mm	9.6mm
Latch throw length of door	5/8"(15.8mm)	5/8"(15.8mm)	3/8"(9.5mm)	3/8"(9.5mm)
Dimensions of Lock	149L x 32W x 36.5H mm		160L x 25W x 30.4H mm	
Dimensions of Armature plate	149L x 32W x 3T mm		160L x 25W x 2T mm	
Weight	286 g		245 g	

## Door Installation

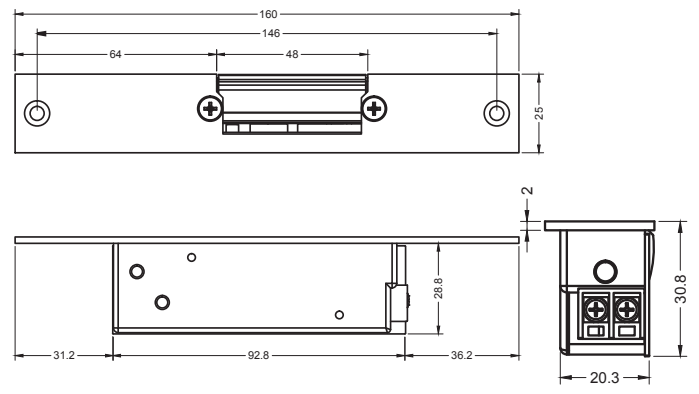
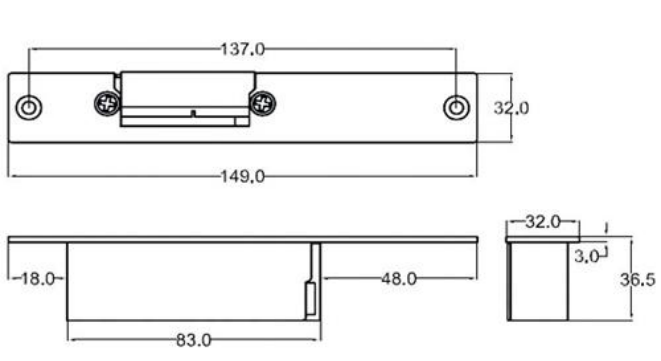


ESL-100



ESL-200

## Dimension



\* Product design and specifications are subject to change without prior notice.